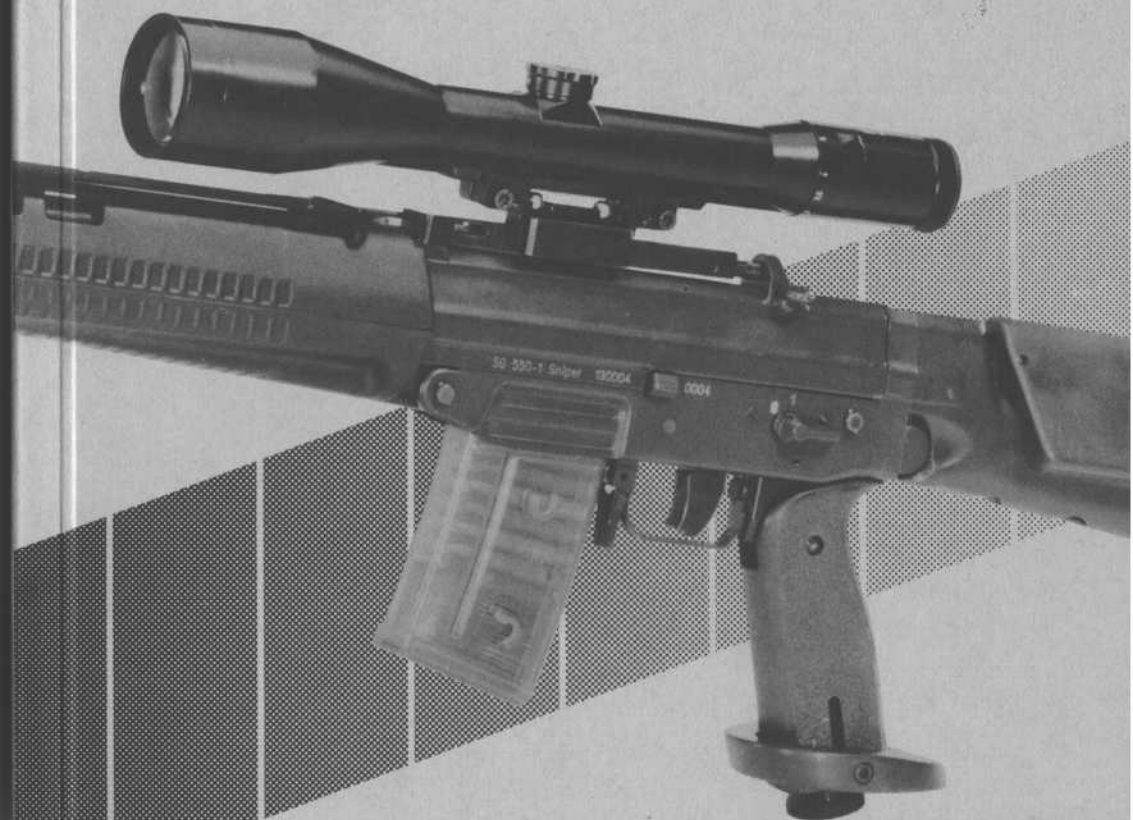




SIG
Precision Rifle
SG 550 Sniper
Caliber 5,56 (.223)

Manual



SIG
Precision Rifle
SG 550 Sniper
Caliber 5.56 (.223")

Manual

<u>Contents</u>	<u>Page</u>
1. WEAPON THEORY	3
1.1. Description of the weapon	3
1.2. Technical specifications	12
1.3. Accessories	13
2. HANDLING	16
2.1. Important instructions	16
2.2. Loading the weapon	17
2.3. Unloading the weapon	18
2.4. Changing magazines	19
2.5. Reloading the weapon	19
2.6. Filling and coupling magazines	20
2.7. Gas valve settings	21
2.8. Folding and adjusting the butt	23
2.9. Firing with mittens	25
2.10. Adjusting the pistol grip	26
2.11. Telescopic sight mount	27
2.12. Telescopic sights	29
2.13. Bipod	30
2.14. Use of accessories	32
2.15. Stripping	35
2.16. Assembly	43
2.17. Functions check	47
2.18. Troubleshooting procedure	49
3. MAINTENANCE	51
3.1. Cleaning	51
4. FUNCTION PRINCIPLES	52
5. APPENDIX	59
5.1. List of parts	59
5.2. Illustration: buttstock	63
5.3. Illustration: pistol grip	64
5.4. Illustration: bipod	65
5.5. Illustration: telescopic sight mount	66
5.6. Exploded drawing	67
5.7. Description: telescopic sights	68

(3476Z)

1. Weapon Theory

1.1. Description of the weapon

1.1.1. General

The SIG model SG 550 Sniper is a semi-automatic precision rifle in 5.56 mm (.223) caliber that has been developed in close conjunction with special police units. Its design concept is based on the Stgw 90, a weapon selected by the Swiss army after rigorous comparative trials, particularly in respect of function and accuracy. The low recoil of the gas-operated rotating bolt system combined with a sensitive two-stage trigger action permit the sharpshooter to fire an accurate string of shots in rapid sequence. Time consuming manipulations such as cocking or repeating are eliminated. An adjustable buttstock and pistol grip plus the heavy hammer-forged barrel and rugged bipod are features which guarantee outstanding weapon stability should a follow-up shot become necessary.

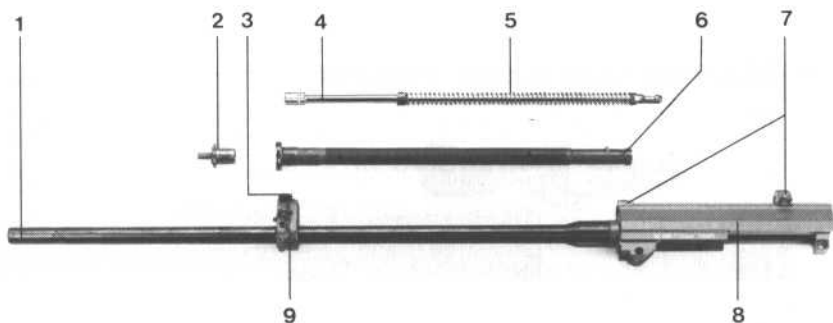


SIG Precision rifle SG 550 Sniper
in 5.56 mm (.223)

1.1.2. Barrel with receiver housing and gas system

The barrel screws into the receiver housing. The handguard mount, which is fixed to the barrel, contains the gas port, accepts the mirage band and gas system and also retains the handguard.

The receiver guides the bolt and incorporates the locking system. Blocks to accept the telescopic sight mount are fitted to the top of the receiver housing.



Barrel with receiver housing and gas system

- | | | | |
|---|-----------------|---|-------------------------|
| 1 | Barrel | 6 | Gas tube |
| 2 | Gas valve | 7 | Blocks for scope sights |
| 3 | Mirage band lug | 8 | Receiver housing |
| 4 | Gas piston | 9 | Handguard mount |
| 5 | Return spring | | |

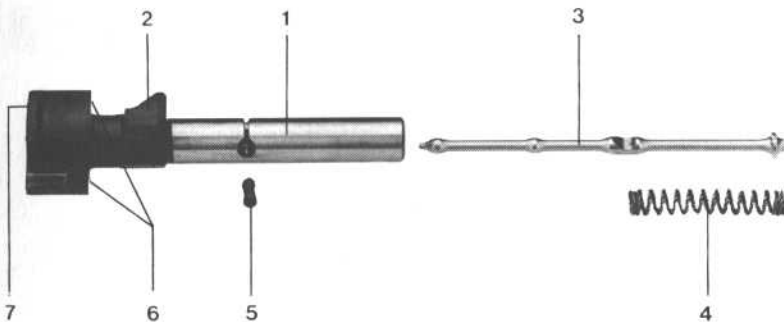
1.1.3. Bolt

The bolt consists of two main parts:

- Bolt head
- Bolt carrier

a. Bolt head

The bolt head locks the bolt assembly, feeds rounds to the chamber and incorporates the firing pin and extractor.

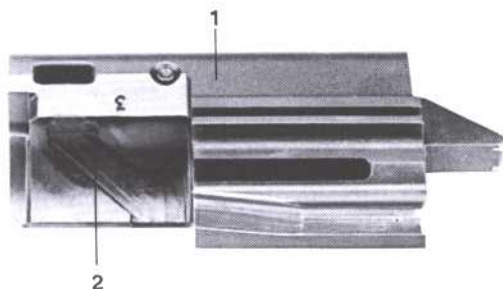


Bolt head

- 1 Bolt head
- 2 Cam pin
- 3 Firing pin
- 4 Firing pin spring
- 5 Retention stud
- 6 Locking lugs
- 7 Extractor

b. Bolt carrier

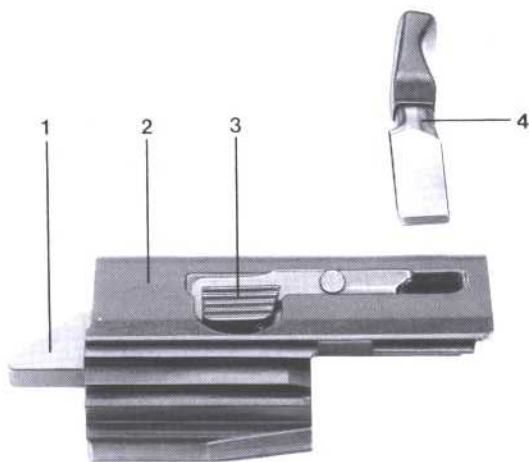
The bolt carrier supports the bolt head, initiates the locking and unlocking actions via the cam, connects the bolt to the gas system and cocks the hammer.



Bolt carrier seen from left

1 Bolt carrier

2 Cam



Bolt carrier seen from right

1 Cocking lug

3 Cocking handle catch

2 Bolt carrier

4 Cocking handle

1.1.4. Handguard and bipod

The handguard protects the barrel and gas system from damage and prevents the firer from being burned. The bipod supports the SG 550 Sniper during firing.



Handguard with bipod

- 1 Handguard, upper
- 2 Handguard, lower
- 3 Bipod

1.1.5. Trigger action and butt

The trigger action comprises all components required to discharge a round. The safety catch can be set to two positions:

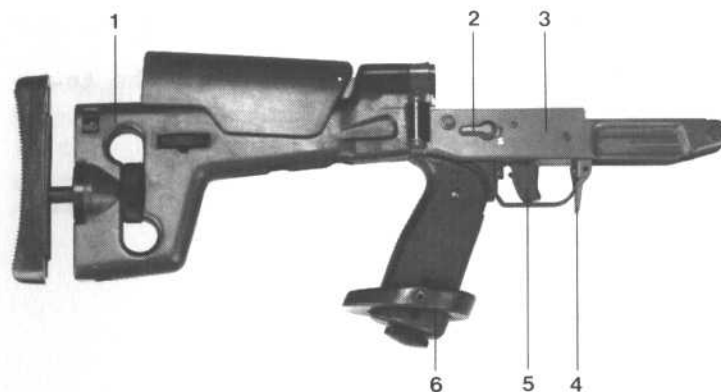
Position "S" = The weapon is safe

Position "1" = The weapon will fire in single-shot mode

The two-stage trigger action is set optimally at our works. To ensure functional safety, the shooter should not alter any trigger settings.

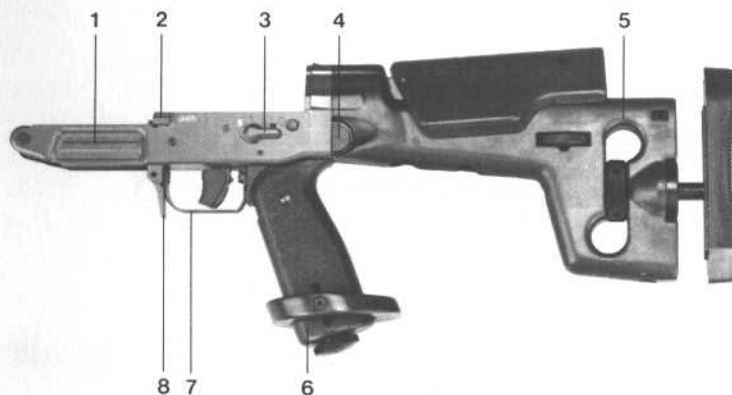
Pivoting the trigger guard to the left or right side exposes the trigger to allow shooting with mittens. For safety reasons the trigger guard must not be displaced until immediately before firing the weapon. After firing it should be immediately returned to the normal position.

The folding butt is made of high-impact synthetic material. It is adjustable for height and length. In the firing position it is locked by the butt catch and, when folded, it is retained against the handguard by spring pressure.



Trigger action and butt seen from right

- | | |
|-------------------|------------------|
| 1 Butt | 4 Magazine catch |
| 2 Safety catch | 5 Trigger |
| 3 Trigger housing | 6 Pistol grip |



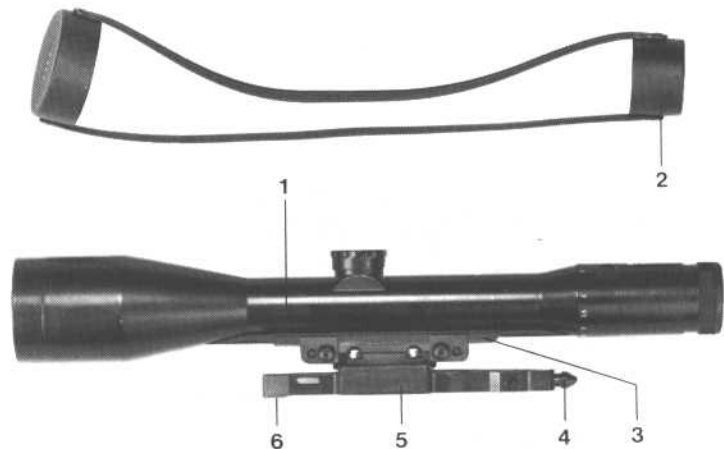
Trigger housing and butt seen from left

- | | |
|-------------------|------------------|
| 1 Trigger housing | 5 Butt |
| 2 Bolt catch | 6 Pistol grip |
| 3 Safety catch | 7 Trigger guard |
| 4 Butt catch | 8 Magazine catch |

1.1.6. Sights

The sighting system comprises the mount and the telescopic sights. The mount is designed to accept telescopic sights fitted with dovetails.

The SG 550 Sniper can also be equipped with special mounts which accept night vision equipment.

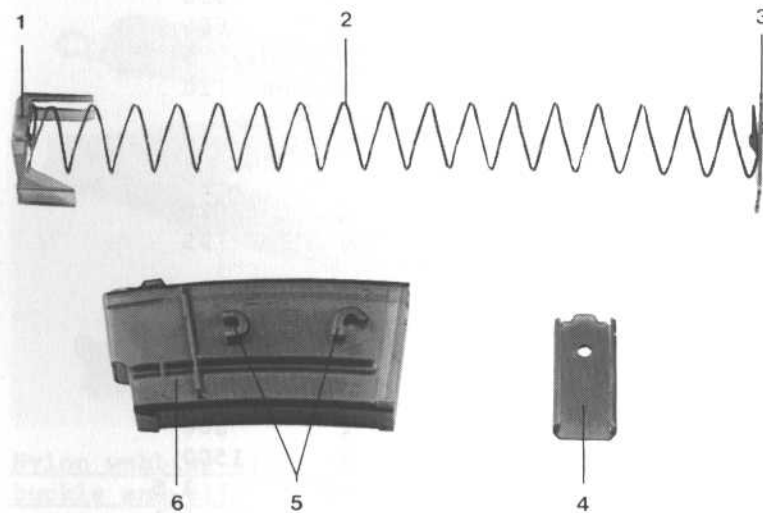


Telescopic sights with mount

- | | |
|--|------------------|
| 1 Telescopic sight compl.
(See page 68 for description and techn. data) | 4 Locating pin |
| 2 Lens cap | 5 Scope mount |
| 3 Scope dovetail | 6 Mount dovetail |

1.1.7. Magazine

The magazine is transparent and holds twenty shots. Rounds can be loaded singly by hand or from a clip if the loading aid is attached. Lugs and pockets on alternate sides of the magazine box allow a maximum of three magazines to be clipped together if required.



Magazine, 20-round, stripped

- | |
|-----------------------------|
| 1 Feeder |
| 2 Magazine spring |
| 3 Floorplate catch |
| 4 Magazine floorplate |
| 5 Magazine coupling pockets |
| 6 Magazine box |

1.2. Technical specifications

Dimensions	SG 550-1 Sniper	
Caliber	mm	5.56 (.223)
Length, overall	mm	1130
Length with butt folded	mm	905
Height, overall	mm	285

Barrel

Barrel length	mm	650
Length of rifled bore	mm	604
Number of grooves		6
Rifling twist, right	inches	10

Weights

Weapon complete	g	7020
Empty magazine	g	95
Full magazine, 20-rounds	g	340

Two-stage trigger

Take-up weight	g	800
Trigger pull weight	g	1500
Take-up length	mm	3.5
Trigger pull length	mm	4.1

Muzzle velocity	m/s	940*
Projectile weight	g	4.1*

Sights

Telescopic sights (see page 68)
Night vision equipment (see page 68)

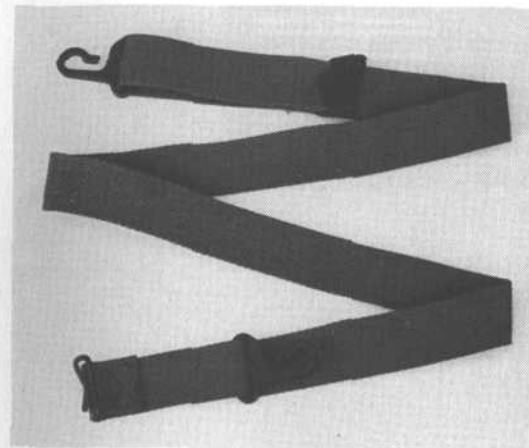
*Depending on brand and batch of ammunition

Subject to change without notice!

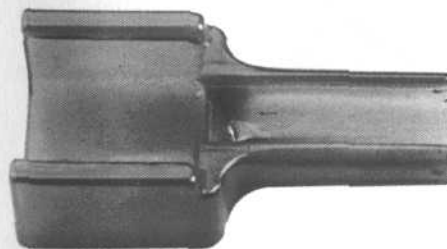
1.3. Accessories

Standard delivery with each SIG 5.56 mm Precision Rifle SG 550 Sniper:

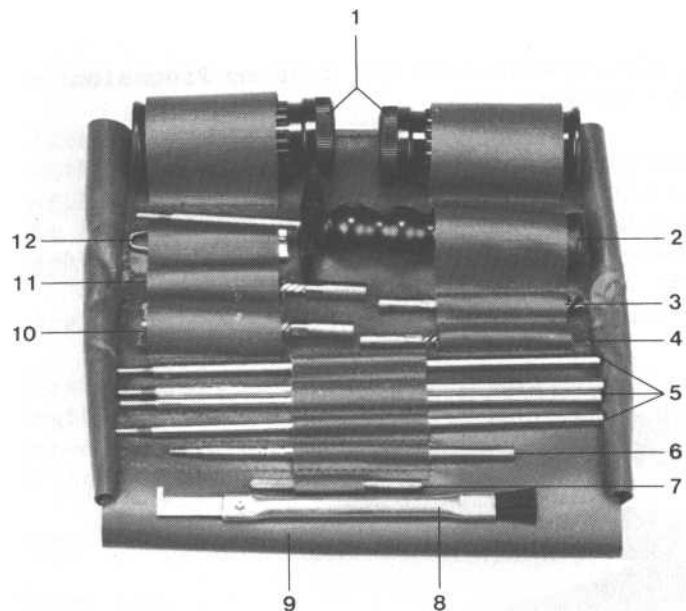
- 1 carrying sling
- 1 loading aid
- 1 cleaning kit
- 1 magazine, 20-round
- 1 carrying case
- 1 mirage band



Nylon webbing sling with two hooks, adjustment buckle and clip



Loading aid, plastic

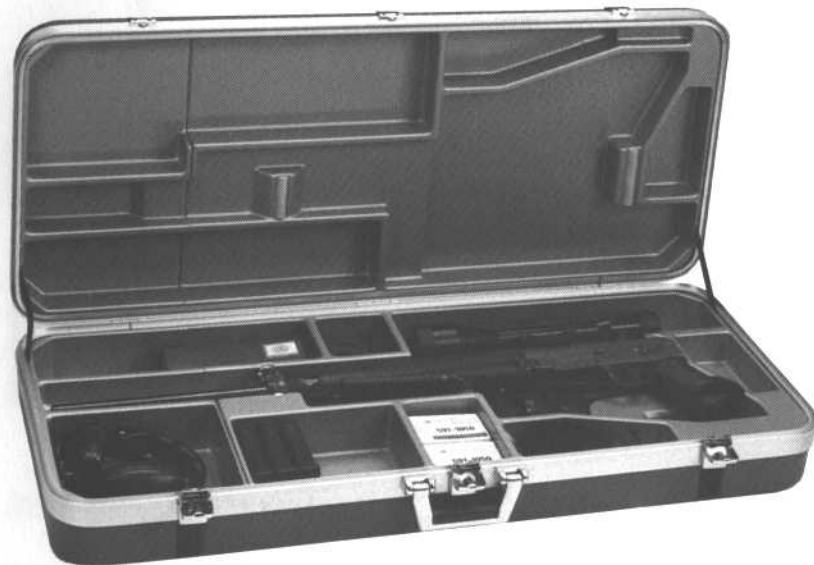


Cleaning kit, complete

- 1 Weapon grease pot
- 2 Cleaning rod handle
- 3 Grease brush
- 4 Barrel brush
- 5 Rod extension
- 6 Ferrule
- 7 Cleaning jag
- 8 Cleaning brush
- 9 Wallet
- 10 Gas tube brush
- 11 Chamber scourer
- 12 Barrel reflector

Carrying case

The carrying case is divided into compartments which accept the complete weapon with mounted telescopic sights or night vision equipment, plus all accessories and aids.



Carrying case for SG 550 Sniper

2. Handling

2.1. Important instructions

- Before any manipulations on the weapon, unload it in accordance with paragraph 2.3 and unfold the butt. (Safety catch and cocking handle cannot be actuated unless the butt is unfolded).
- Only use ammunition that is available commercially.
- Only use ammunition that corresponds to the specified caliber of the weapon.
- Whenever handling the weapon, keep it pointed in a safe direction.
- Whenever handling the weapon, keep your finger off the trigger.
- Do not load the weapon until immediately before firing.
- Unload the weapon immediately after firing has stopped.

2.2 Loading the weapon

1. Thumb the safety catch to the safe position "S";
2. Swing trigger guard into the vertical position;
3. Insert magazine and check that it is properly seated;
4. Cycle the action. (Draw back bolt up to the stop and allow it to fly forward).

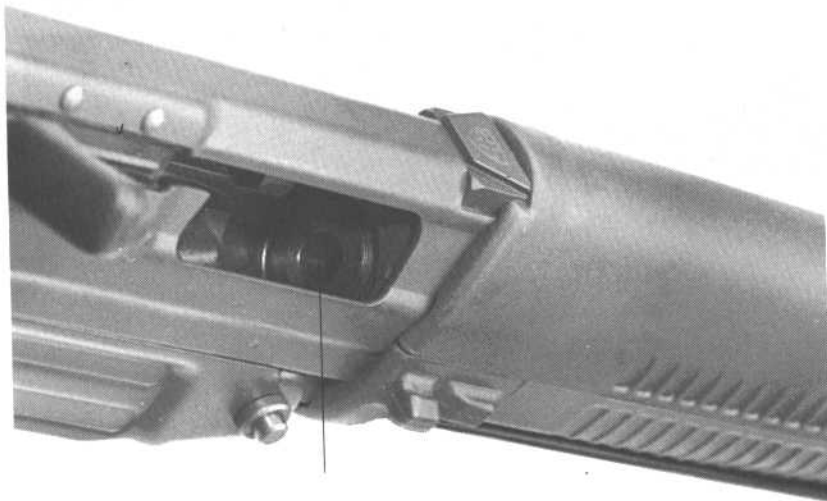


Inserting the magazine

- 1 Safety catch
- 2 Bolt
- 3 Magazine
- 4 Trigger guard

2.3. Unloading

1. Thumb safety lever to the safe position "S";
2. Swing trigger guard into the vertical position;
3. Remove magazine by pressing magazine catch;
4. Draw back bolt and hold it in the open position;
5. Inspect the chamber to ensure that it is empty;
6. Allow bolt to fly forward;
7. Deactivate safety catch, aim, pull the trigger, apply the safety catch.



Inspect the chamber

1 Chamber

2.4. Changing magazines

1. Thumb safety catch to the safe position "S";
2. Swing trigger guard into the vertical position;
3. Remove magazine by pressing magazine catch;
4. Insert fresh magazine and check that it is properly seated;

2.5. Reloading

1. Thumb safety catch to the safe position "S";
2. Swing trigger guard into vertical position;
3. Remove empty magazine by pressing magazine catch;
4. Insert full magazine and check that it is properly seated;
5. Thumb the bolt catch up or draw back the cocking handle slightly and allow the bolt to fly forward.



Thumb up bolt catch

2.6. Filling and coupling magazines

2.6.1. Filling magazines

1. Seat loading aid on magazine;
2. Insert the ammunition clip and squeeze the cartridges down into the magazine;
3. Remove loading aid.

2.6.2. Coupling magazines

1. Hold magazine upright;
2. With the floorplate of the second or third magazine facing to the rear, first engage the upper lugs, then rotate forward and connect lower lugs.



Filling from a clip
using the loading aid



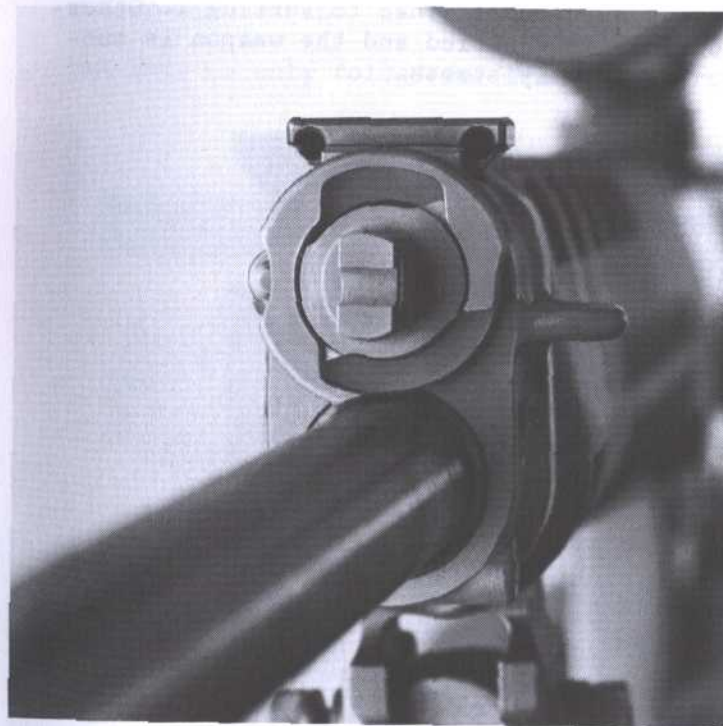
Coupling magazines

2.7. Gas valve settings

On the SIG 5.56 mm SG 550 Sniper, the gas volume required to cycle the weapon can be controlled by adjusting the gas valve.

a. Setting I (Prongs of gas valve vertical)

Under normal conditions, the weapon operates on this setting.



Gas valve on setting I

b. Setting II (Prongs of gas valve inclined)

When cycling or ejection problems due to heavy fouling or icing-up are encountered, the gas valve is turned clockwise up to the stop. In this position, a greater volume of gas acts on the gas piston.

Adjustment of the gas valve is done manually. In the event of a hot or heavily fouled weapon, some kind of aid should be used.

Firing with the gas valve on setting II is an exception. As soon as the weapon functions reliably, the gas valve must be returned to setting I. Otherwise, recoil is intensified and the weapon is subjected to unnecessary stress.



Gas valve on setting II

2.8. Folding and adjusting the butt

2.8.1. Folding the butt

Unload the weapon in accordance with paragraph 2.3.

Thumb in the butt catch and fold the butt so that it registers with the handguard under spring pressure.

Caution

- When the butt is folded, the safety catch cannot be deactivated and the weapon cannot be loaded.
- The butt is only folded for transport purposes.

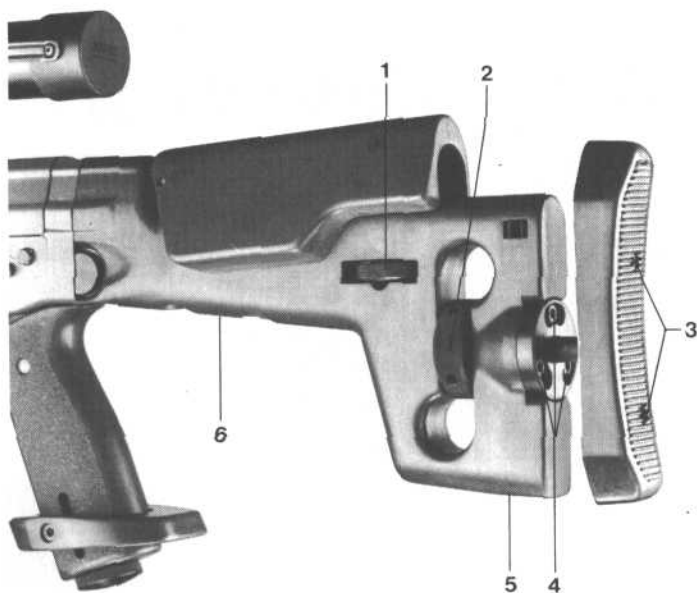


Butt folded

- 1 Butt catch
- 2 Butt

2.8.2. Adjusting the buttstock elements

Adjust the height of the cheekpiece with knurled nut (1). The distance between buttplate and trigger can be varied by releasing clamping screw (5) with the Allen key (6) and turning knurled nut (2). Adjustment is also possible when the shooter has already taken up the firing position. Buttplate position can be adjusted vertically and for cant. Vertical adjustment is done by releasing both screws (3) with Allen key (6). The cant of the buttplate can be varied by using the same key to slacken off clamping screw (5) and the screws (4). To gain access to the three screws (4) it is first necessary to pull the buttplate into its rearmost position.



Buttstock

2.9. Firing with mittens

To allow firing with mittens, the trigger guard (2) pivots away to the left or right. For safety reasons the trigger guard (2) must always be returned to the vertical position before carrying out any manipulations.

As the trigger tongue (3) is fitted with a plastic shoe, mittens are only required when shooting at very low temperatures.

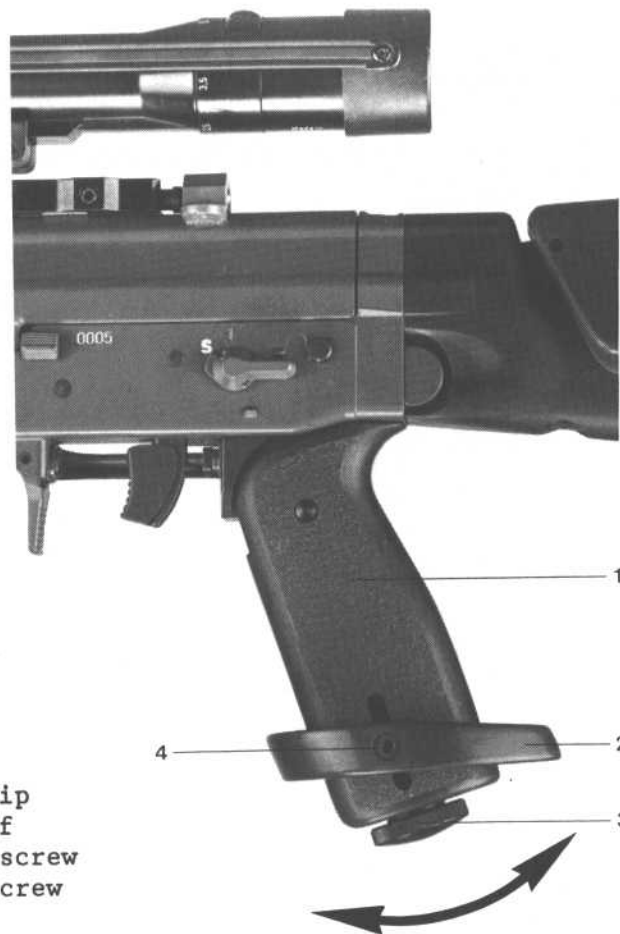


Trigger guard displaced

- 1 Trigger housing
- 2 Trigger guard
- 3 Trigger tongue

2.10. Adjusting the pistol grip

The rake angle of the pistol grip (1) can be adjusted by releasing clamping screw (3). This potential variation is intended to avoid strain on the wrist when firing upwards or downwards. The position of hand shelf (2) can be altered after releasing both screws (4) with the 4 mm Allen key located under the butt.

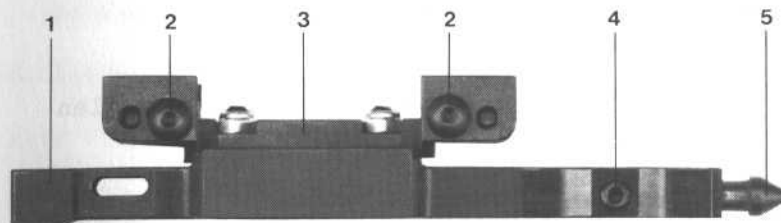


Pistol grip

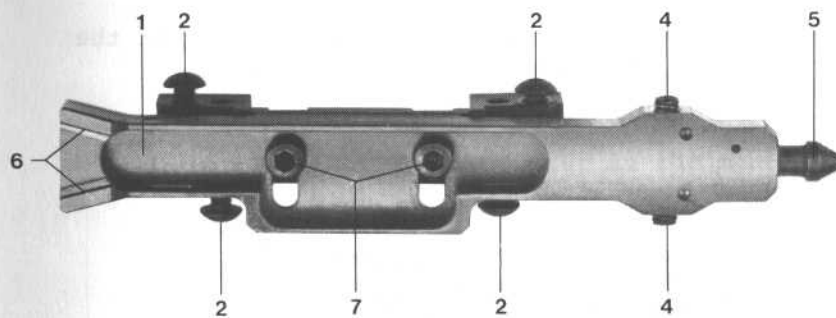
- 1 Pistol grip
- 2 Hand shelf
- 3 Clamping screw
- 4 Locking screw

2.11. Telescopic sight mount

The telescopic sight mount is adjustable for offset and will accept the majority of commercially available scopes fitted with dovetails.



Scope mount of SG 550 Sniper seen from left



Scope mount of SG 550 Sniper seen from below

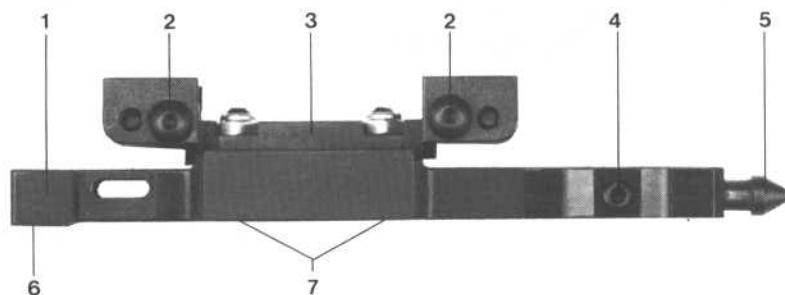
- | | |
|----------------|----------------|
| 1 Scope mount | 5 Locating pin |
| 2 Allen screw | 6 Dovetail |
| 3 Offset slide | 7 Allen screw |
| 4 Grub screw | |

2.11.1. Installing the scope mount

1. Release the two grub screws (4) with 3 mm Allen key;
2. Insert locating pin (5) in the tapered hole of receiver housing block;
3. Pull scope mount (1) to the rear and slide the dovetail (6) into the matching guide on the receiver housing;
4. Tighten the two grub screws (4) with 3 mm Allen key;
5. Check that the scope mount is seated tightly on the weapon.

2.11.2. Removing the scope mount

1. Release the two grub screws (4) with 3 mm Allen key;
2. Pull scope mount to the rear and slide out the dovetail (6) from its matching guide.



Scope mount SG 550 Sniper seen from the left

2.12. Telescopic sights

2.12.1. Installing the scope

1. Fit the scope mount to the weapon (parag. 2.11.1.);
2. Slacken off the four screws (2) with 3 mm Allen key until the telescopic sight can be inserted from front to rear;
3. Retighten the screws (2).

2.12.2. Removing the scope

1. Slacken off the four screws (2) until the scope can be slid out towards the muzzle.

2.12.3. Longitudinal adjustment of the scope

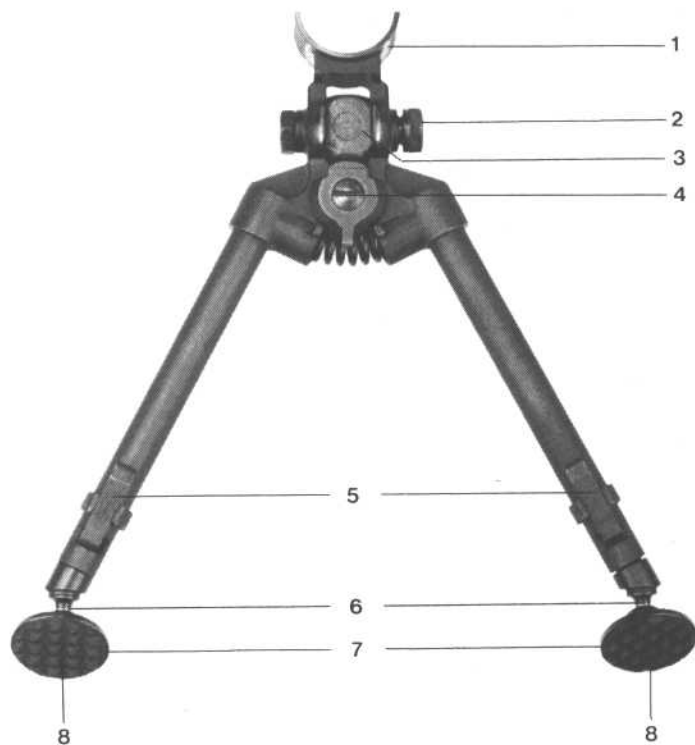
1. Release screws (2) slightly;
2. Adjust scope to the preferred position (setting eye relief distance);
3. Tighten screws (2);
4. Check that scope is tightly seated in the mount.

2.12.4. Lateral adjustment of the scope

1. Remove the scope mount (parag. 2.11.2.);
2. Release the two screws (7) with 4 mm Allen key;
3. Raise offset slide (3) including the scope and move the assembly laterally to the preferred position (potential adjustment to ensure that when aiming, the eye is aligned with the centre of the eyepiece);
4. Tighten screws (7) and install scope mount in accordance with parag. 2.11.1.

2.13. Bipod for SG 550 Sniper

The bipod is very easy to install and remove. No tools are required; simply remove the lower handguard (parag. 2.15.).



Bipod

- | | |
|---------------|------------------------|
| 1 Carrier | 5 Catches |
| 2 Bearing pin | 6 Ball joints |
| 3 Pivot head | 7 Feet |
| 4 Screw | 8 Stippled rubber pads |

2.13.1. Function of the bipod

- Lightly squeeze the bipod legs together and swing them towards the muzzle. They will open and locate in the forward position. The bipod is ready for use.
- To stow bipod for transport, squeeze the legs together around screw (4) and swing them back about bearing pin (2) against the handguard.
- The bipod is attached to the handguard by carrier (1). This enables the weapon to be rotated around the bore axis, thus allowing the telescopic sights to be aligned horizontally.
- The weapon can be rotated left or right around pivot head (3). This allows a moving target to be tracked and facilitates follow-up shots.
- The required height of the bipod legs can be set quickly and easily with the ratchet catches (5).
- Ball joints (6) allow the bipod feet (7) to adapt to uneven surfaces. Underneath, the feet are fitted with stippled rubber pads (8) to prevent slipping.

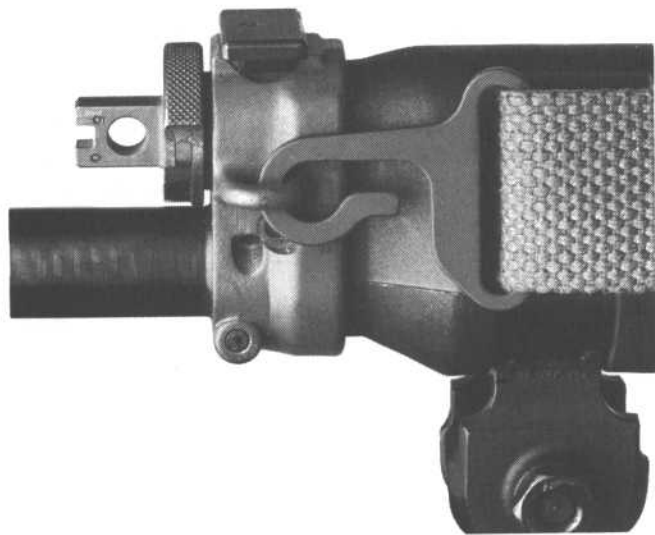
2.14. Use of accessories

2.14.1. Carrying sling

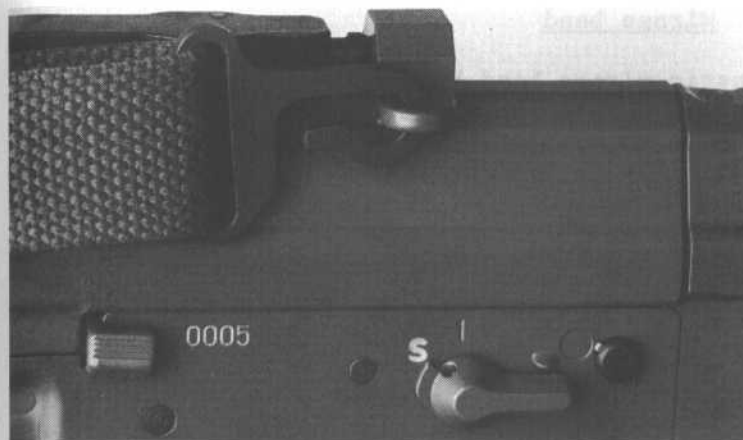
One end of the sling hooks into the eye on the handguard mount; the other end attaches to the scope mount block.

Use the buckle to adjust sling length.

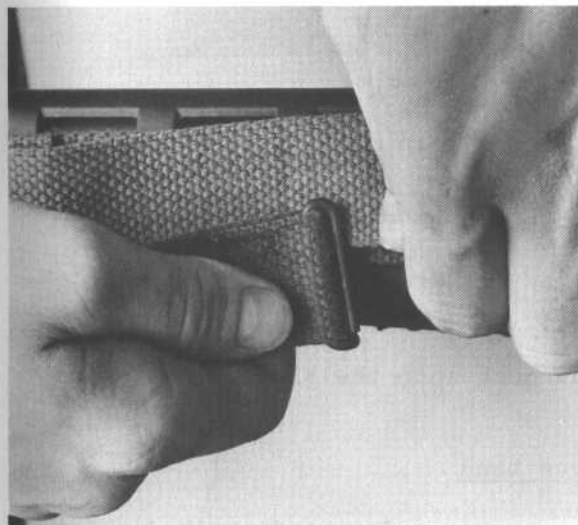
To fix a taut sling, slip the clip over the strap.



Sling hooked to handguard mount



Sling hooked to scope mount block



Fixing the taut sling

2.14.2. Mirage band

The elastic mirage band helps to prevent unwanted movement of the air in front of the telescopic sights (hot barrel) and therefore assists in providing optimal sighting conditions.



Mirage band

Fitting the mirage band

1. Slip front end of mirage band over the lug on the handguard mount.
2. Insert the rear hook into the slot of the scope mount.

Removing the mirage band

1. Proceed in the reverse order as described under "Fitting".

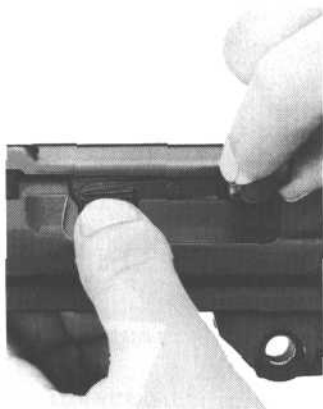
2.15. Stripping

1. Unload weapon (parag. 2.3.);
2. Unhook carrying sling and mirage band;
3. Squeeze the rear takedown pin and pull it out on the stud head side, up to the stop;
4. Place the weapon on its left side and swing down the trigger housing;
5. Extract the front takedown pin as in point 3 above and remove the trigger housing;

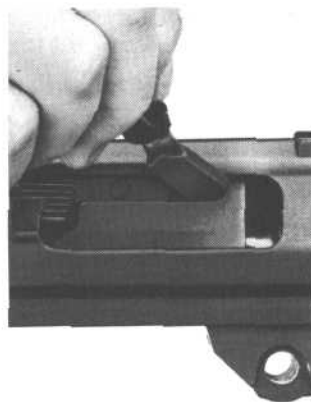


Remove trigger housing takedown pins

6. Thumb down the cocking handle catch and remove cocking handle;
7. Use cocking handle to push the bolt to the rear and remove bolt from the receiver;

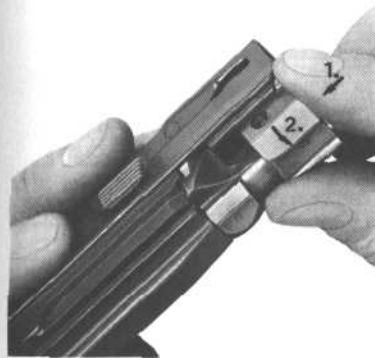


Remove cocking handle



Use cocking handle to push bolt to rear end of receiver

8. Twist bolt head out of bolt carrier;



Release bolt head

1. Push in
2. Rotate



Remove bolt head

9. Pull lower handguard to the rear and lift off.
Remove bipod sideways;

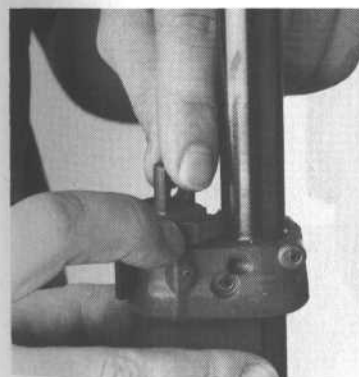


Raise lower handguard

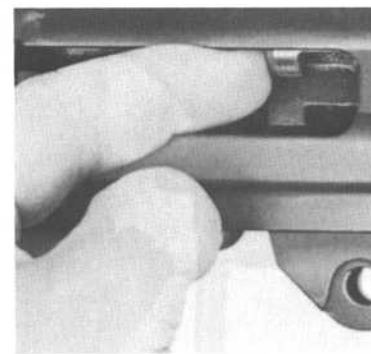


Remove bipod carrier

10. Press in catch pin of the gas valve. Remove gas valve by simultaneously turning and pulling it forward towards the muzzle;
11. Place index finger through the ejection port and push gas piston forward. Extract it towards the muzzle;
12. Press in catch pin of the gas valve. Rotate gas tube 90° so that the notch in its flange aligns with the top of the barrel;
13. Raise the upper handguard slightly and pull out the gas tube towards the muzzle;
14. Lift upper handguard up and over the scope mount; twist sideways to remove it;



Remove gas valve



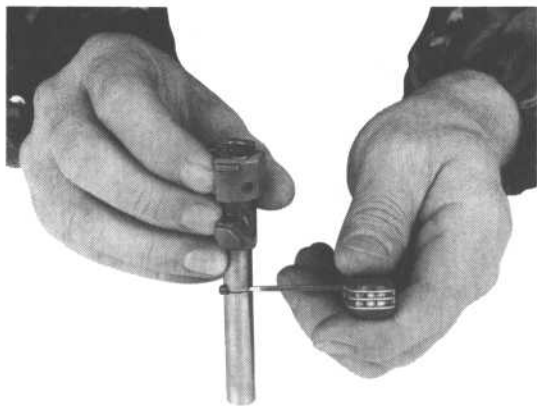
Push gas piston forward



Remove upper handguard

15. Remove the firing pin:

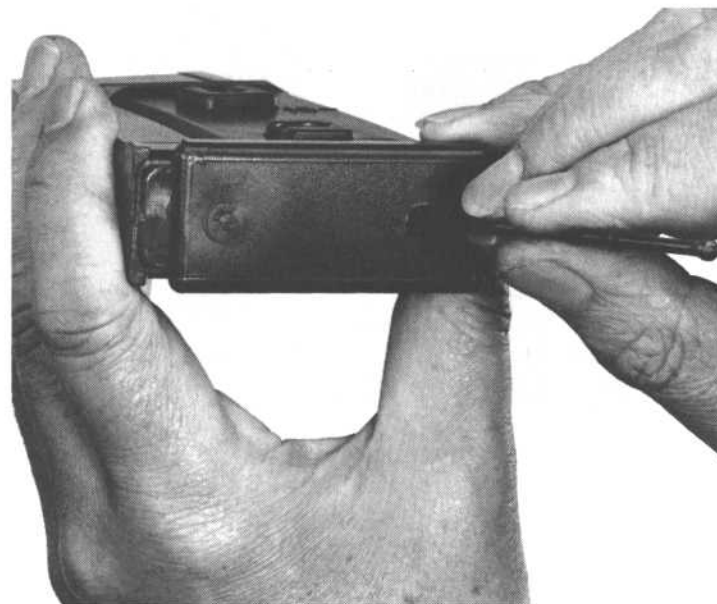
- Hold the bolt head down against a firm surface so that the firing pin is pressed completely in;
- Using the awl of a pocket knife, push out the retention stud and extract the firing pin and spring;



Remove firing pin

16. Dismantle the magazine:

- Press in retention lug of the floorplate catch with the thick end of the firing pin. Slide off the magazine floorplate to the rear;
- Pull out floorplate catch together with the spring and follower.



Dismantle magazine



SIG Precision Rifle SG 550 Sniper stripped

2.16. Assembly

The weapon should always be assembled in the reverse order of stripping:

1. Assemble magazine;
2. Install firing pin:
 - Insert firing pin and spring into the bolt head. Ensure that the notch is correctly located to accept the retention stud;
 - Press firing pin into the bolt head until the notch aligns with the hole for the retention stud. Then insert the stud to secure the firing pin;



Install firing pin

Correct position of the notch

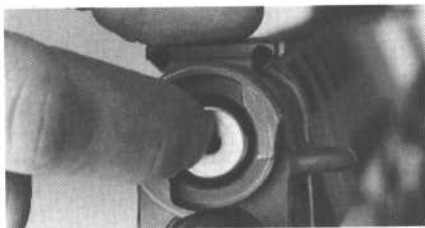
3. Install upper handguard
 - Place the handguard between the scope and the scope mount. With a twisting motion push it forward along the barrel;

4. Install the gas tube:

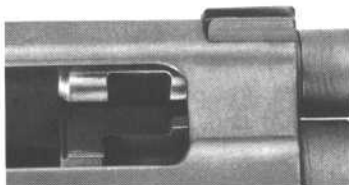
- Raise the handguard slightly;
- Slip the gas tube (flange notch facing upward) through the bore of the handguard mount and insert the end into the corresponding opening in the receiver;
- Press the gas tube against the handguard mount and turn it through 90° so that the catch pin of the gas valve registers with the flange of the gas tube;
- Slide the handguard forward into its correct position;

5. Install gas piston with return spring:

- Insert the piston, with its retention notch facing the barrel, into the gas tube;
- Check with index finger that the gas piston reciprocates freely against the return spring;



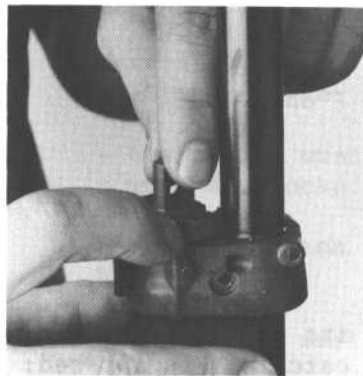
Install gas piston (check spring action)



Install gas piston (correct position of retention notch)

6. Install gas valve:

- With the notch for the catch facing the barrel, insert the gas valve into the flange of the gas tube;
- Press in the catch pin and rotate the gas valve clockwise to setting I;
- Check that the gas valve catch has registered;



Install gas valve

- 7. Attach the bipod;
- 8. Install lower handguard;
- 9. Assemble bolt head and carrier;
- 10. Insert bolt assembly:
 - Slide bolt head completely forward by pressing on the firing pin;
 - Slide bolt into receiver housing;



Insert bolt assembly

11. Insert cocking handle into its slot in the bolt carrier and check that the catch has registered;
12. Install trigger housing:
 - Ensure that the holes for the front takedown stud are aligned;
 - Press in front takedown stud up to the stop;
 - Swing up trigger housing and secure it with the rear takedown stud;
13. Carry out the functions check in accordance with parag. 2.17;

2.17. Functions check

The functions check prescribed below is to be carried out each time that the weapon has been stripped.

1. Unload in accordance with parag. 2.3.;
2. Ensure that the cocking handle has engaged in its correct position;
3. Functions:
 - a) Set safety catch to "S"; cycle the action, pull the trigger:
 - the hammer must not trip, the trigger action must be blocked;
 - b) Set safety catch to "1"; pull the trigger and hold it back:
 - the hammer must trip;With the trigger held back; cycle the action:
 - the hammer must not trip;Release the trigger and pull it again:
 - the hammer must trip;
 - c) Cycle the action:
 - Set safety catch to "1" and verify several times that there is a discernible trigger let-off point;

4. Insert an empty magazine and check that it is firmly seated;
5. Bolt catch:
 - a) Cycle the action:
 - the bolt must be caught in the rear position;
 - b) Thumb up the bolt catch:
 - the bolt must immediately run forward;
 - c) Pull the trigger, apply safety catch;
6. Check that the folded butt has registered.

2.18. Troubleshooting

In the event that a weapon no longer fires due to a malfunction, proceed as follows:

- Cycle the action;
- Continue firing;

If the weapon does not function:

- Insert a fresh magazine;
- Cycle the action;
- Continue firing;

If the weapon does not yet function:

- Apply safety catch;
- Remove magazine;
- Cycle the action, hold bolt in rearmost position, check ejection and, if necessary, remove any jammed cases;
- Turn gas valve to setting II if weapon is heavily fouled or iced up;
- Insert fresh magazine and load;
- Deactivate safety, continue firing;

If the weapon still does not fire:

- Apply safety catch;
- Unload;
- Clean weapon in accordance with 3.1.;
- Take up firing position;
- Load;
- Deactivate safety, continue firing;

If the shooter cannot unload a weapon or rectify a fault by following the procedure described in the manual, trained personnel must be called. The following points should be observed:

- If a weapon cannot be unloaded immediately and there is any danger of self-ignition due to a hot barrel (140° C), wait at least 15 minutes.
- The weapon must remain in position as long as it is loaded.
- Spectators and non-essential personnel should be sent away so that the problem can be tackled calmly and thoroughly.
- As long as the weapon remains loaded, only trained personnel should be allowed to handle it.

Malfunctions can be largely avoided by:

- Cleaning the weapon according to parag. 3.1. after each firing; at the latest, shortly after setting the gas valve to position II.
- Cleaning in accordance with the instructions.
- Filling magazines correctly.

3. Maintenance

3.1. Cleaning

The SIG 5.56 mm Precision Rifle SG 550 Sniper must be cleaned after each firing. Strictly observe the following sequence of operations:

1. Unload the weapon;
2. Strip weapon in accordance with parag. 2.15.;
3. Clean barrel and chamber from the rear;
4. Clean remaining weapon components;

Cleaning the gas valve and tube is of vital importance. Use the hook on the cleaning brush for this purpose.

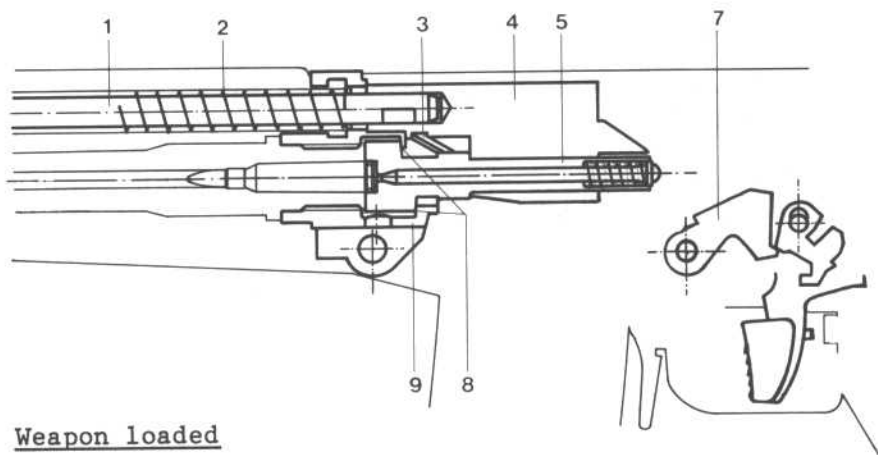
5. Lubricate the barrel and chamber with weapon oil or grease;
6. Lightly apply weapon oil or grease to the remaining components;
7. Assemble the weapon in accordance with parag. 2.16.;
8. Conduct functions check in accordance with parag. 2.17.

4. Function

4.1. Readiness to fire

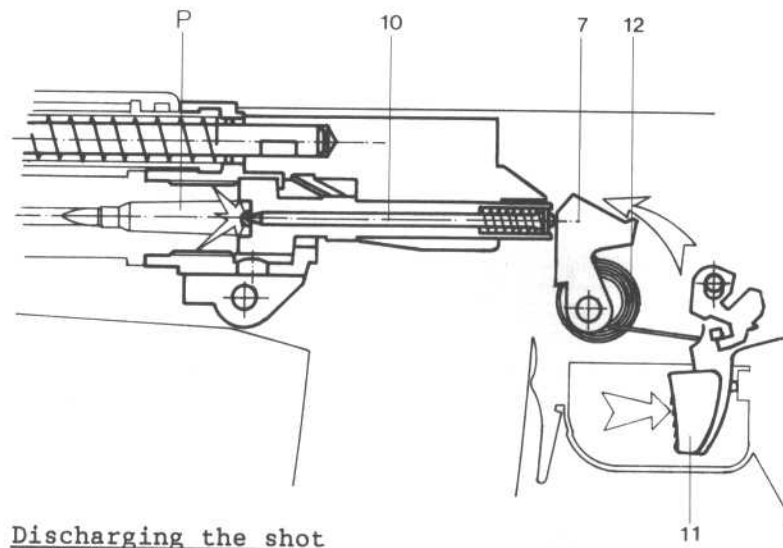
At the moment of readiness to fire the bolt is closed and locked.

- Return spring (2) holds bolt carrier (4) in the forward position, via the gas piston (1);
- The control cam (3) of bolt carrier (4) rotates the bolt head (5) so that its locking lugs (8) engage the corresponding abutments in the barrel extension (9);
- In this position the hammer (7) is cocked.



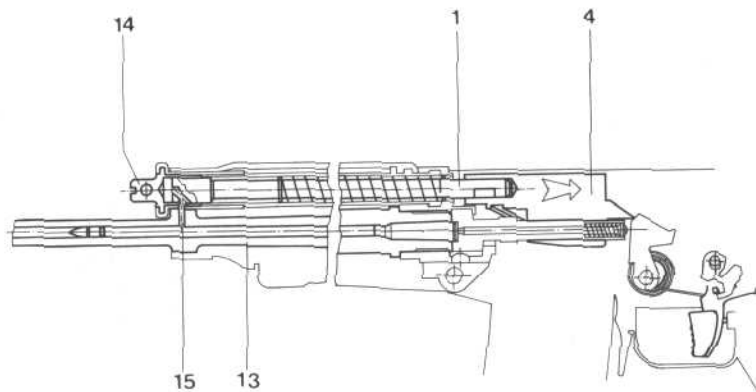
4.2. Discharging the shot

Pressure on the trigger (11) releases the hammer (7). Under pressure of the mainspring (12) the hammer strikes firing pin (10) which, in turn, impacts against the primer of cartridge (P) thereby discharging the shot.



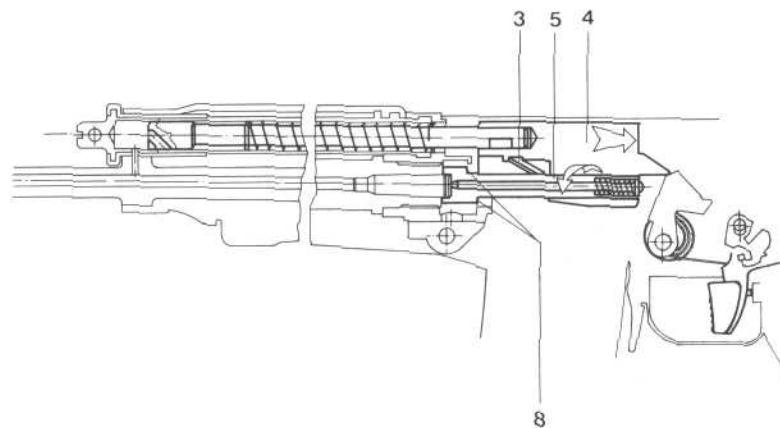
4.3. Unlocking and recoil of bolt

Gas pressure, generated by the burning powder, propels the bullet up the barrel (13). As soon as the projectile passes the gas port (15), propellant gas flows into the adjustable gas valve (14). Expanding gas acts on the gas piston (1) which drives the bolt carrier (4) to the rear.



Bolt carrier recoil begins

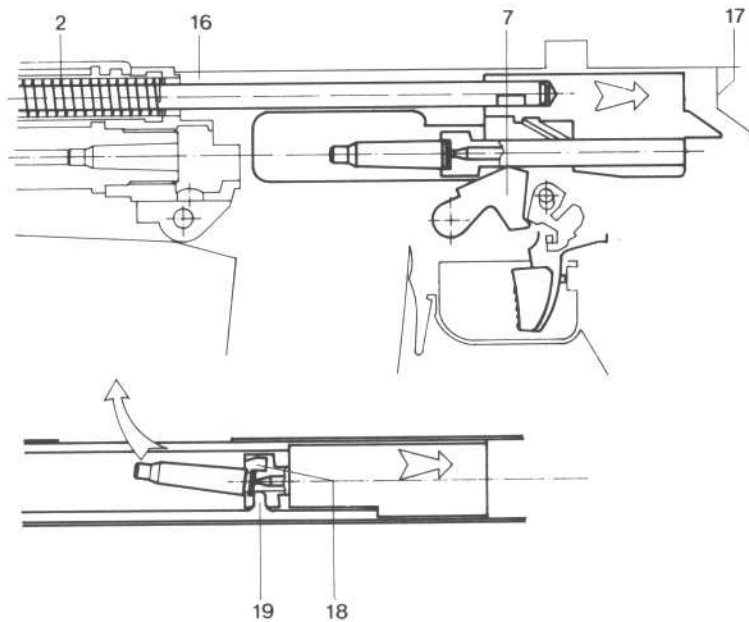
Rearward motion of bolt carrier (4) rotates the bolt head (5) via control cam (3) allowing the locking lugs (8) to disengage. The bolt is now unlocked.



Unlocking begins

The bolt assembly glides back along the receiver guides (16) up to the stop (17) whereby:

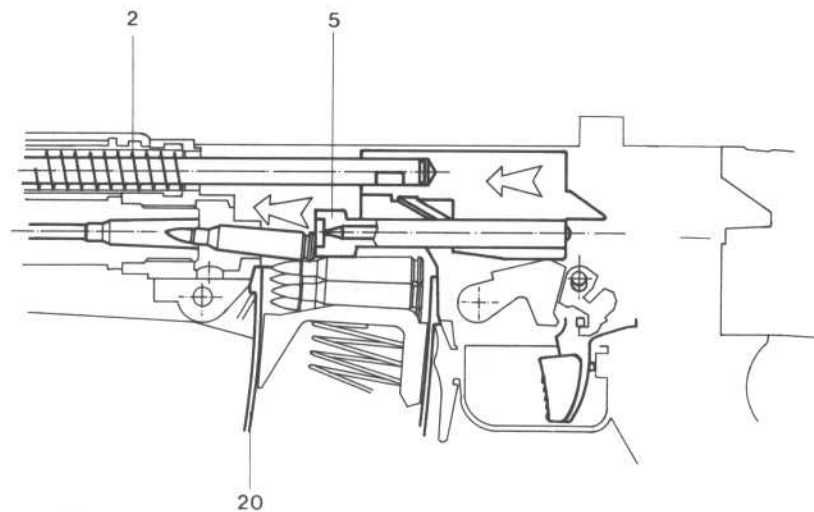
- Return spring (2) is compressed;
- Hammer (7) is cocked into its bottom register;
- Extractor (18) draws the case from the chamber;
- Ejector (19) ejects the case through the port in receiver housing (16).



Case ejection

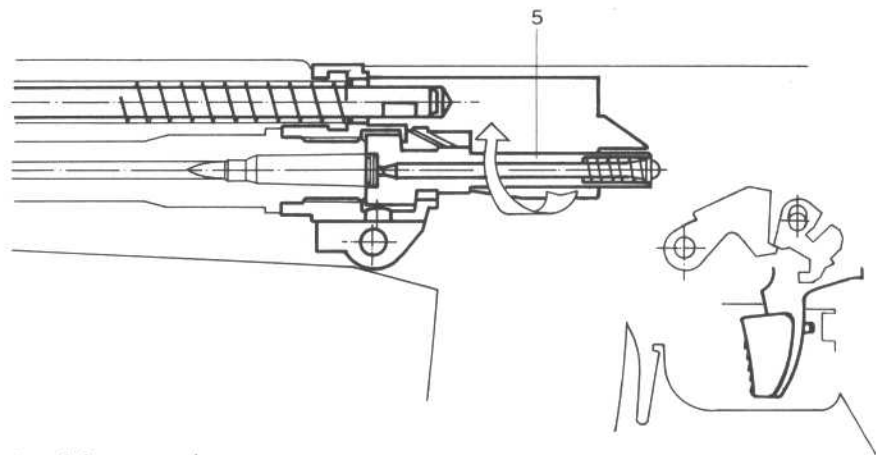
4.4. Bolt advance and locking

The force of the compressed return spring (2) thrusts the bolt forward. Bolt head (5) strips the top round from the magazine (20) and feeds it into the chamber.



Bolt advance

In the final stage of advance, the bolt head (5) locks up again. The weapon is ready to be fired.



Locking action

5. Appendix

5.1. Parts list

100 Receiver housing complete

111 Receiver housing

142 Bolt cover

142 Rivet

200 Barrel with gas system

211 Barrel*

212 Foresight mount*

213 Roll pin

223 Catch pin

224 Compression spring

225 Roll pin

226 Mirage band lug

227 Roll pin

241 Gas valve

251 Gas tube

261 Gas piston

262 Return spring

263 Roll pin

264 Roll pin

265 Spacer

268 Stop washer

300 Handguard

311 Handguard upper

321 Handguard lower

330 Bipod complete

331 Bipod leg left

332 Bipod leg right

333 Carrier

338 Bearing pin

339 Nut

340 Pivot head

341 Screw

342 Compression spring

343 Pawl

344 Pawl spring

345 Stop pin

346 Roll pin

347 Ratchet left

348 Ratchet right

349 Foot complete

350 Circlip

* Cannot be ordered as a separate part

400 Bolt assembly

411 Bolt head	421 Bolt carrier
412 Firing pin	422 Cocking handle catch
413 Retention stud	423 Axis of cocking
414 Firing pin spring	handle catch
415 Extractor	424 Spring of cocking
416 Extractor spring	handle catch
417 Pin	425 Cocking handle

500 Trigger assembly complete

501 Trigger housing	565 Bolt catch spring
521 Magazine catch	566 Spring stud
522 Magazine catch spring	571 Safety catch
523 Magazine catch pin	572 Safety block
524 Bush	573 Safety spring
525 Grub screw	576 Roll pin
541 Pistol grip	577 Spring guide
546 Clamping screw	579 Grub screw
547 Clamping collar	580 Trigger shoe
548 Compression spring	581 Trigger tongue
549 Hand shelf	582 Trigger return spring
550 Allen screw	583 Sear
551 Stop screw	584 Trigger axis
552 Stop nut	585 Trigger axis bush
554 Trigger guard	586 Sear spring
555 Trigger guard bearing	590 Threaded block
556 Pistol grip mount	591 Takedown pin
557 Allen screw	592 Stud for takedown pin
558 Pivot pin	593 Takedown pin spring
559 Cap	594 Roll pin
561 Hammer	595 Dowel
562 Hammer axis	596 Spring washer
563 Mainspring	598 Plunger
564 Bolt catch	599 Screw

600 Buttstock

611 Butt	624 Adjustment nut
612 Butt catch	625 Stop washer
613 Butt catch spring	626 Cheekpiece
614 Clip	627 Pivot
615 Roll pin	628 Roll pin
616 Buttplate compl.	629 Threaded rod
617 Square nut	630 Roll pin
618 Allen screw	631 Adjustment nut
619 Guide spigot	632 O-ring
620 Pivot flange	633 Dowel
621 Screw	634 Magnet
622 Pressure stud	635 Screw
623 Screw	636 Allen key

700 Magazine

711 Magazine box	714 Feeder
712 Floorplate	715 Magazine spring
713 Floorplate catch	716 Loading aid

800 Telescopic sight mount compl.

801 Scope mount	809 Roll pin
802 Offset slide	810 Screw
803 Mounting block left	811 Allen screw
804 Mounting block right	812 Stop nut
805 Locating pin	813 Spring washer
806 Plunger	820 Mirage band
807 Plunger spring	821 Carrying sling
808 Grub screw	

840 Cleaning kit (see item nos. on page 14)

841 Wallet (9)	847 Grease brush (3)
842 Grease pot (1)	848 Barrel brush (4)
843 Cleaning rod handle (2)	849 Rod extension (5)
844 Barrel reflector (12)	851 Ferrule (6)
845 Chamber scourer (11)	853 Cleaning jag (7)
846 Gas tube brush (10)	854 Cleaning brush (8)

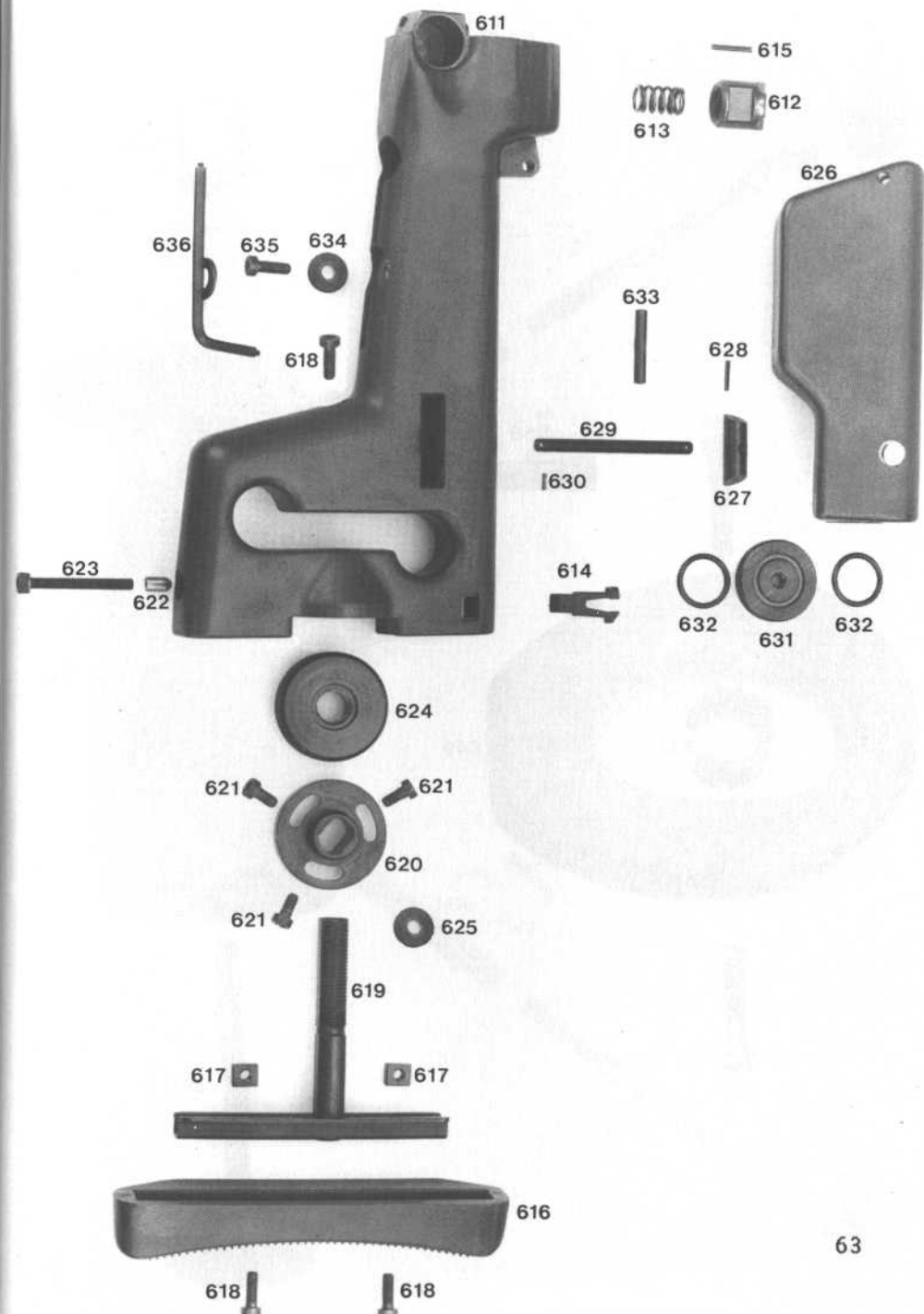
5.2 Illustrations and Exploded Drawing

Essential information when ordering spare parts:

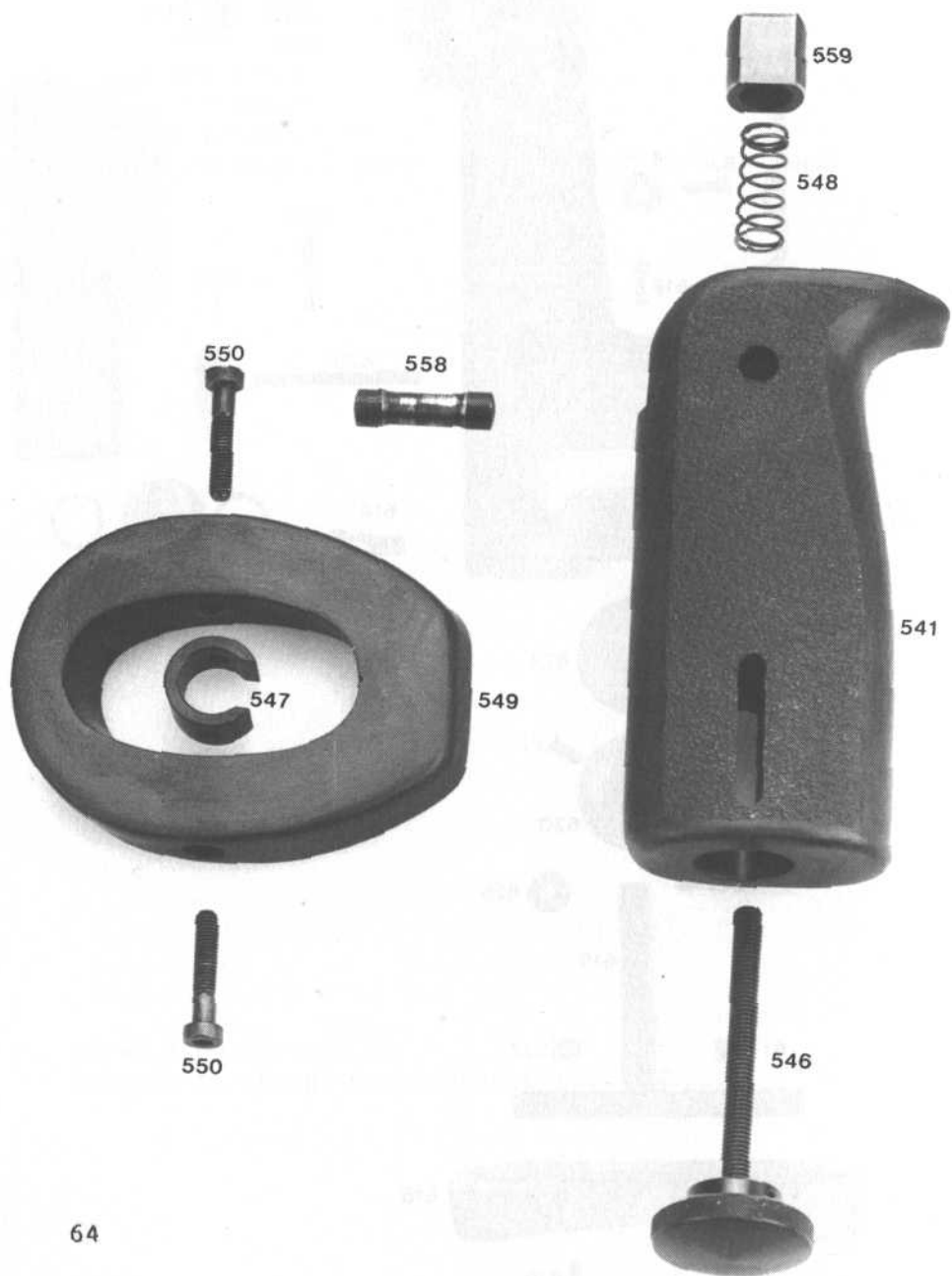
- Weapon model
- Serial number
- Item number
- Designation of part

GB-Wa 7.604/3.90/1.12
Subject to change without notice.

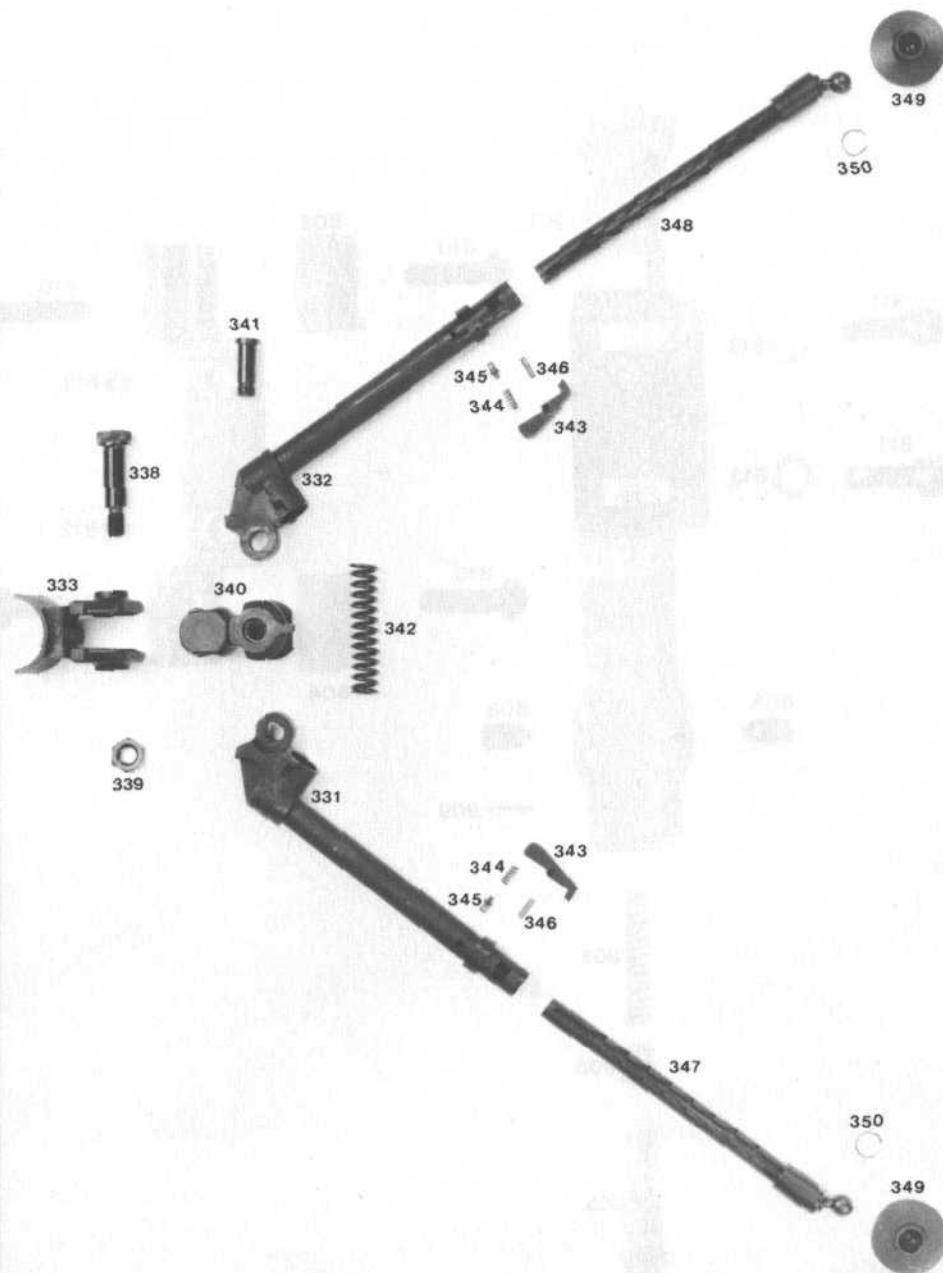
5.2. Illustration: butt components



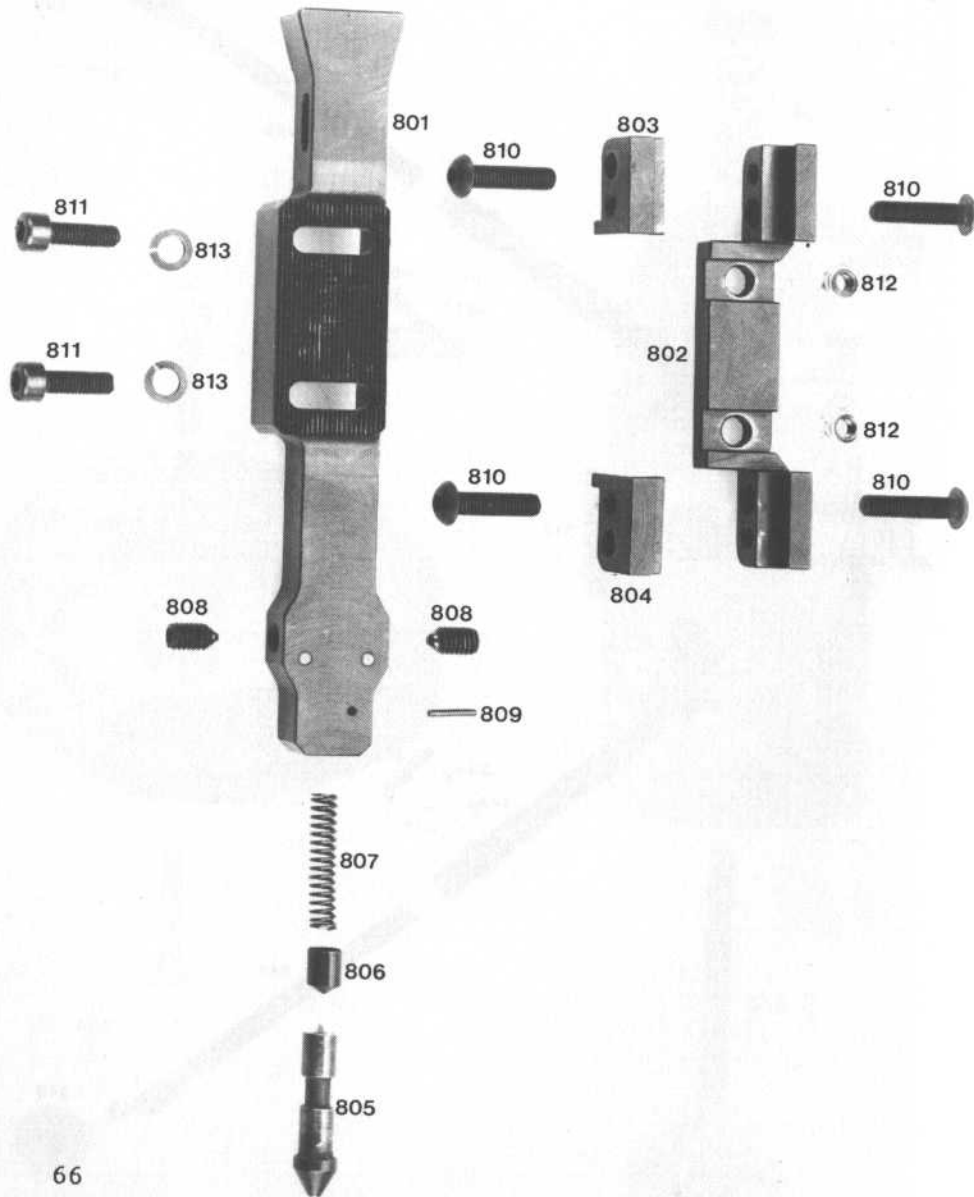
5.3. Illustration: pistol grip components



5.4. Illustration: bipod



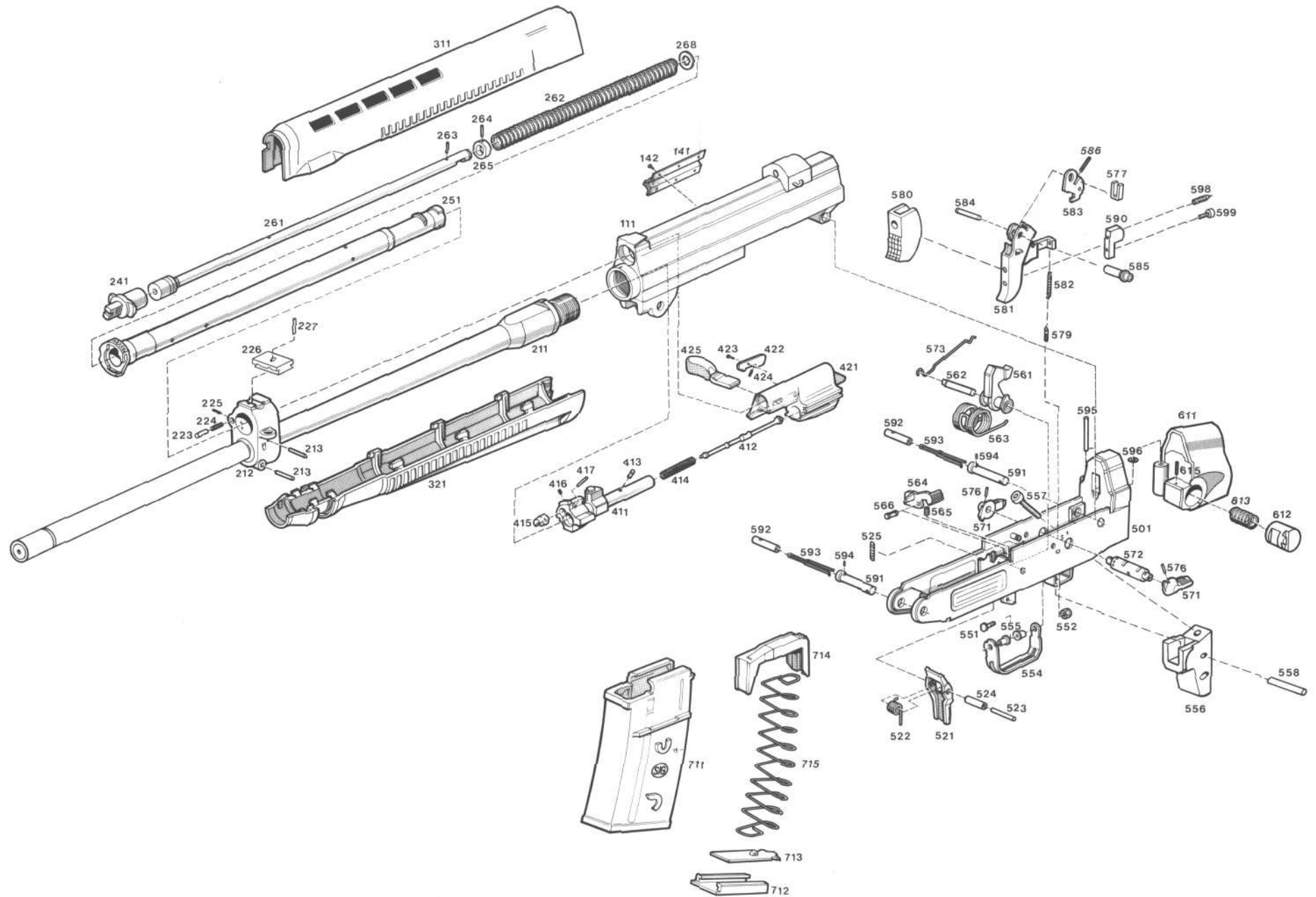
5.5. Illustration: telescopic sight mount



5.6. Exploded drawing

5,56 mm SG 550 Sniper

Einzelteile/Components



5.7. Technical description: telescopic sights



SIG Swiss Industrial Company
Small Arms Division
CH-8212 Neuhausen Rhine Falls
Phone 053 - 21 61 11 Telex 896021
Telefax 053 - 21 66 01

SIGARMS INC.
Industrial Drive
Exeter, New Hampshire 03833
Phone 001 - 603 772 23 02
Telefax 001 - 603 772 90 82